



BAKER HYDRO

# NOVA ECO PUMP

## Energy Saving 3 Speed Pump

Equipped with an energy saving 3 speed motor, Nova ECO is capable of lowering its energy usage & reducing its operating noise levels.

- Energy Rating of 6 Stars
- Innovative permanent magnet brushless DC motor
- Ultra quiet operation

The more stars the more energy efficient

**ENERGY RATING**

A joint government and industry program

Nova ECO100  
multipump pump

Efficiency L/W%	Flow Rate Litres/min	Head m	Power W	Noise dBA
97	100	4.5	294	64.5

Energy consumption  
**589**  
kWh per year  
To pump 40,000 litres/day

When tested in accordance with AS 5102.2. Actual energy use and running costs will depend on how you use the appliance.

Compare models at [www.energyrating.gov.au](http://www.energyrating.gov.au)



## Energy Saving

Conventional pool pumps are limited to one set speed. A pool pump is usually sized to cater for the pool's maximum water flow requirements, which may either be the sand filter's backwash water flow or to provide sufficient water flow to operate a suction cleaner.

As the speed of a conventional pump cannot be changed, the same maximum water flow is applied across the pool's various requirements.

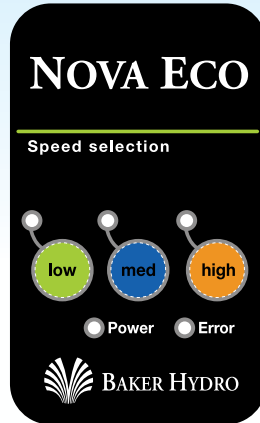
Equipped with the very latest 3 speed permanent magnet brushless DC motor, Nova ECO is capable of lowering its motor speed, reducing water flow and lowering its energy consumption.



## 3 Speed Options

Nova ECO's 3 speed options cater for most pool functions.

- **High speed** - Vacuuming and backwash – 1% of the time
- **Medium speed** - Automatic pool cleaners
- **Low speed** - Filtration – 99% of the time



As a pool's filtration cycle occupies 99% of the run time of a pool pump, you can operate the Nova ECO on its low speed setting for a majority of its running time, leading to significant energy savings.

**Nova ECO can slash its energy use by up to 67%, by operating it at low speed.**

## Benefits of Slow Flow

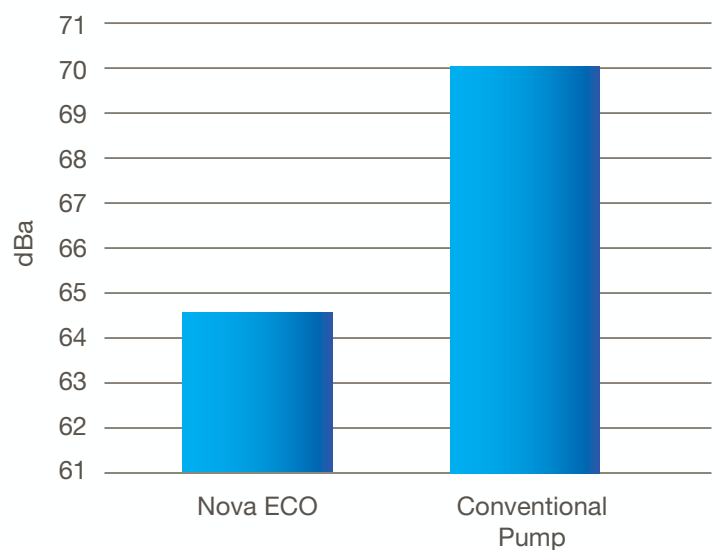
Lowering a pump's flow rate not only significantly decreases the pump's energy requirements, but also reduces water flow resistance in your pool equipment and plumbing. Even though you may need to operate the Nova ECO longer, it is far more efficient pumping low water flow compared to high water flow.

A slow flow rate also has the added benefit of improving your pool's filtration efficiency, enhancing the clarity of your swimming pool water. Plus your automatic chemical dosers and salt chlorinators are also more effective when the pool water is circulated longer.



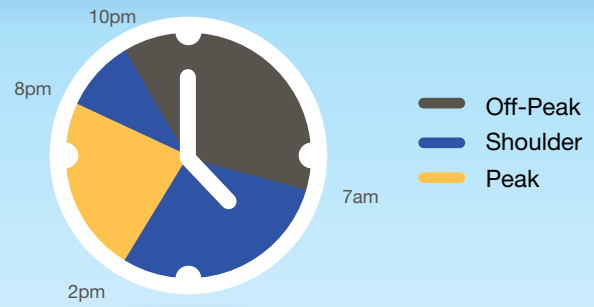
## Ultra Quiet

Nova ECO operates most economically and with the lowest noise level at its low speed setting. Its low speed setting significantly reduces the pump's vibration, motor noise and water turbulence to an ultra low 64.5 decibels (dBA).



## Off-Peak Operation

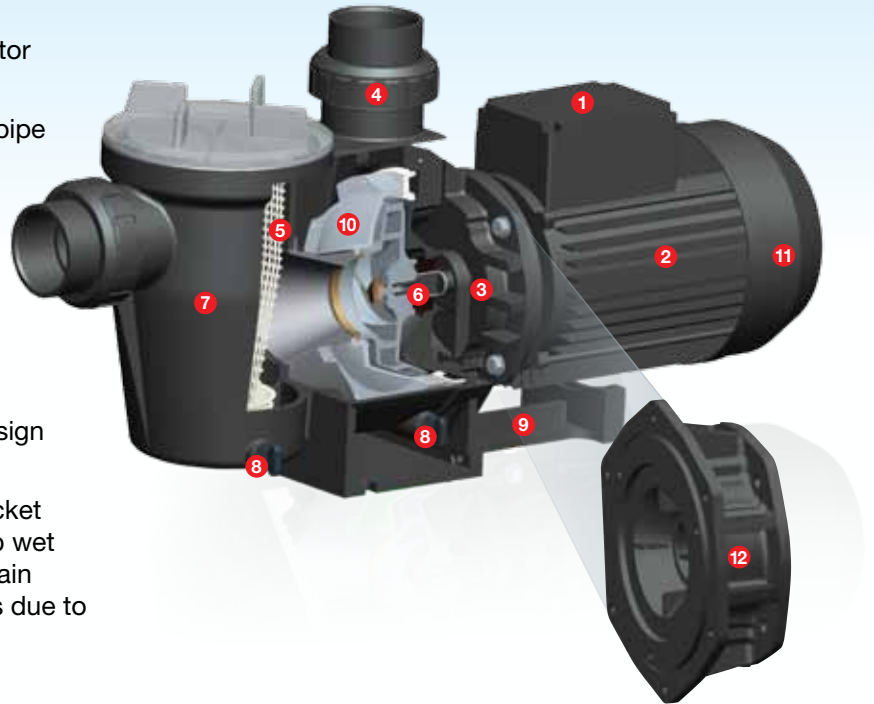
Its low noise levels enable it to be operated at times that are not allowable for conventional pool pumps. A Nova ECO allows you to take advantage of off-peak electrical tariff periods, without upsetting your neighbours.



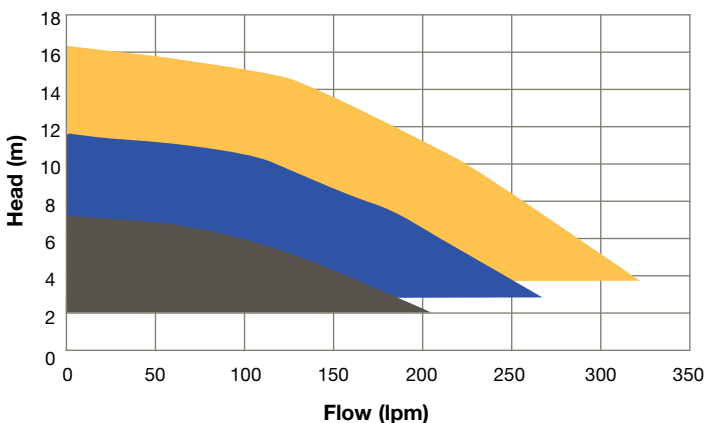
**Nova ECO can save you hundreds of dollars off your energy bill.**

## Key Features

1. 3 speed control panel, IP55 rating
2. Permanent magnet brushless 3 speed DC motor
3. UV stabilised & corrosion resistant
4. 50mm quick connect barrel unions for UPVC pipe
5. Clear basket lid & large 2.1lt strainer basket
6. High grade carbon/graphite mechanical seal with 316 stainless steel spring assembly
7. Strong single piece glass filled thermoplastic pump body
8. Drain plugs
9. Stable support base
10. Hydraulically efficient impeller and diffuser design
11. Fan cooled thermal overload protection
12. Motor protection bracket. This protection bracket adds a 60.5mm separation between the pump wet end and motor. The bracket also has larger drain holes for improved draining of any water leaks due to long term wear of the mechanical seal.

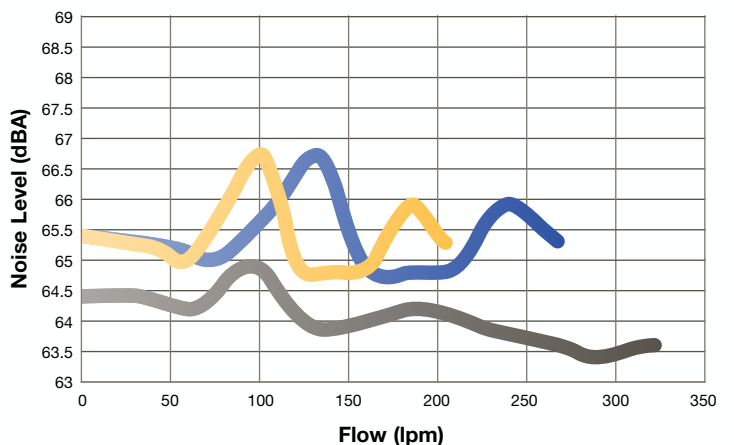


**Nova ECO Performance Curves**



Low speed (1900rpm)      Medium speed (2410rpm)      High speed (2850rpm)

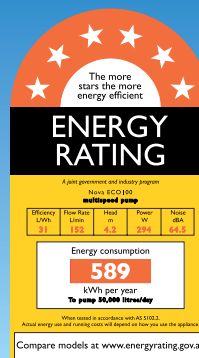
**Nova ECO Noise Levels**



## Warranty

Pumps	3 years (conditional)*
Wet End	3 years
Motor, mechanical seal, hair & lint pot lid, o'ring, basket, impeller & diffuser	2 years
Commercial applications	1 year
Labour	1 year

\*Please refer to Baker Hydro's warranty terms and conditions.



## Specifications

Length (mm)	Height (mm)	Width (mm)	Packaged Weight (kg)
651	340	227	10

## Medium speed (2410rpm)

Pump Total Head (m)	Flow Rate (lpm)	Motor Input (kW)	Amps	Noise Level (dBA)
6.8	215	0.62	4.6	67.9
8.5	190	0.61	4.6	68.5
10.0	162	0.61	4.6	68.8

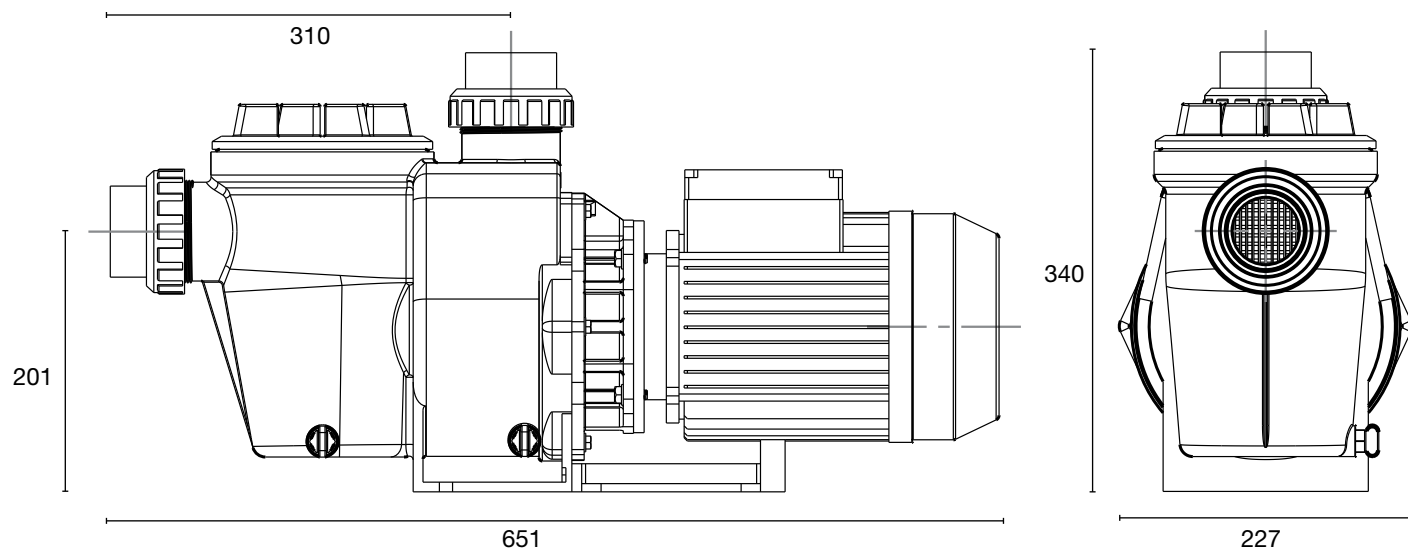
## Low speed (1900rpm)

Pump Total Head (m)	Flow Rate (lpm)	Motor Input (kW)	Amps	Noise Level (dBA)
4.3	142	0.32	2.5	63.9
5.6	122	0.32	2.5	64.1
6.9	101	0.32	2.4	63.5

## High speed (2850rpm)

Pump Total Head (m)	Flow Rate (lpm)	Motor Input (kW)	Amps	Noise Level (dBA)
6.7	288	0.94	7.1	72.3
9.6	255	0.97	7.3	72.7
10.6	223	0.98	7.3	72.2

## Dimensions (mm)



The LEADER In Filtration and  
Water Treatment For Over 50 Years

[www.bakerhydro.com](http://www.bakerhydro.com)

**NSW**  
Sydney (Head Office)  
Tel: (02) 9898 8686  
Fax: (02) 9898 1754

**QLD**  
Brisbane  
Tel: (07) 3299 9900  
Fax: (07) 3299 9911

**VIC/TAS**  
Melbourne  
Tel: (03) 9764 1211  
Fax: (03) 9764 0577

**WA**  
Perth  
Tel: (08) 9273 1900  
Fax: (08) 9273 1999

**SA / NT**  
Adelaide  
Tel: (08) 8244 6000  
Fax: (08) 8244 6011

**Waterco (NZ)**  
Auckland  
Tel: (09) 525 7570  
Fax: (09) 525 6580

In the interest of providing better quality and value we are constantly improving and updating our product. Consequently, pictures and information on our brochures may sometimes vary slightly from models available.